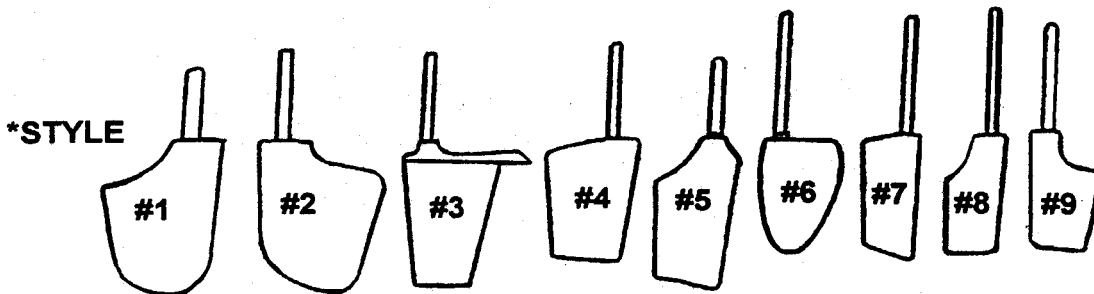


Rudders

MANGANESE BRONZE RUDDER ORDERING INFORMATION



BOAT MANUFACTURER _____

HULL I.D. # _____

LENGTH _____

YEAR _____

CASTING # ON RUDDER _____

* STYLE (see above) _____

SHAFT MATERIAL (check one)

BRONZE _____ STAINLESS _____

DIMENSIONS (from diagram left):

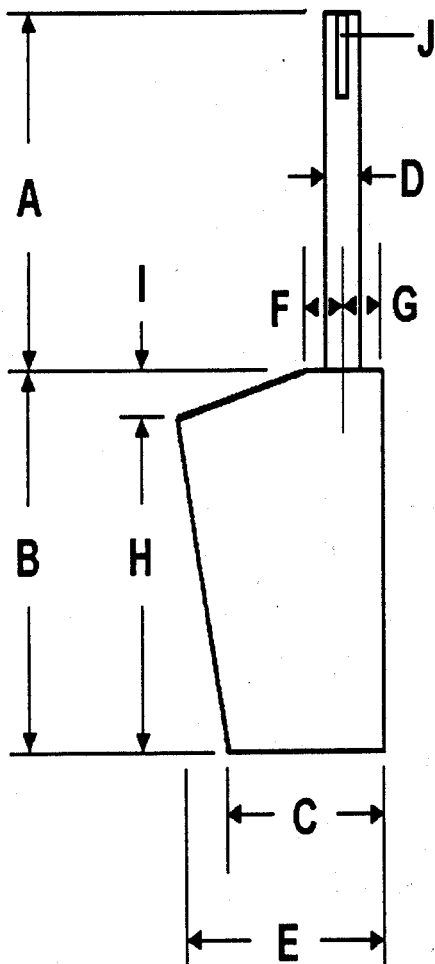
A _____ " B _____ "

B _____ " G _____ "

C _____ " H _____ "

D _____ " I _____ "

E _____ " J _____ "

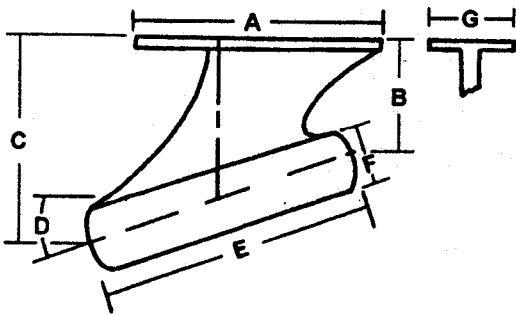


The "J" dimension is for the keyway and should be expressed in terms of width, length and position (forward, aft, port or starboard).

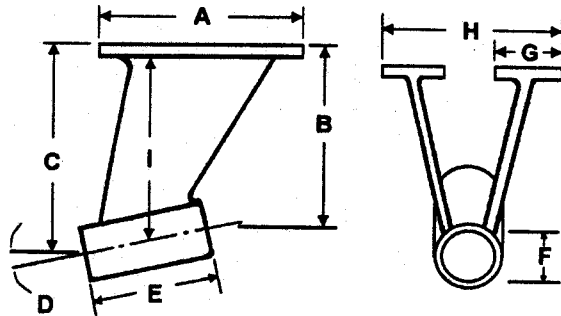
Example: (1/4 x 2 3/4 forward)

Struts

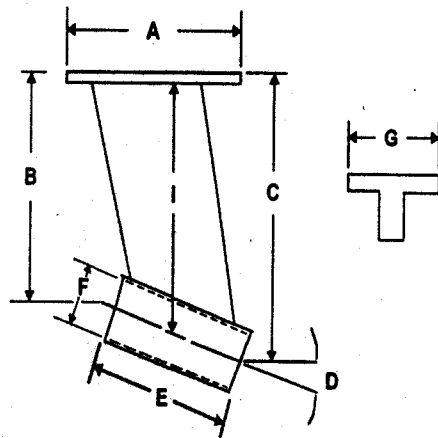
PERFORMANCE STRUT



V-STRUT



MAIN STRUT



BOAT MANUFACTURER _____

YEAR _____

HULL I.D. # _____

LENGTH _____

CASTING # ON STRUT _____

GAS _____ or DIESEL _____

DIMENSIONS (from diagram(s)):

A _____ " F _____ "

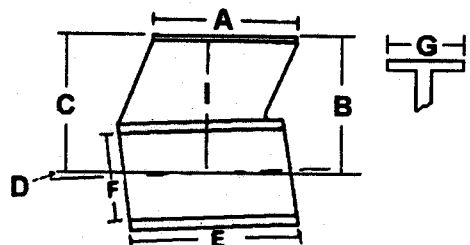
B _____ " G _____ "

C _____ " H _____ "

D _____ ° I _____ "

E _____ "

MID STRUT



Please have above information ready when calling.

Proper Pitch